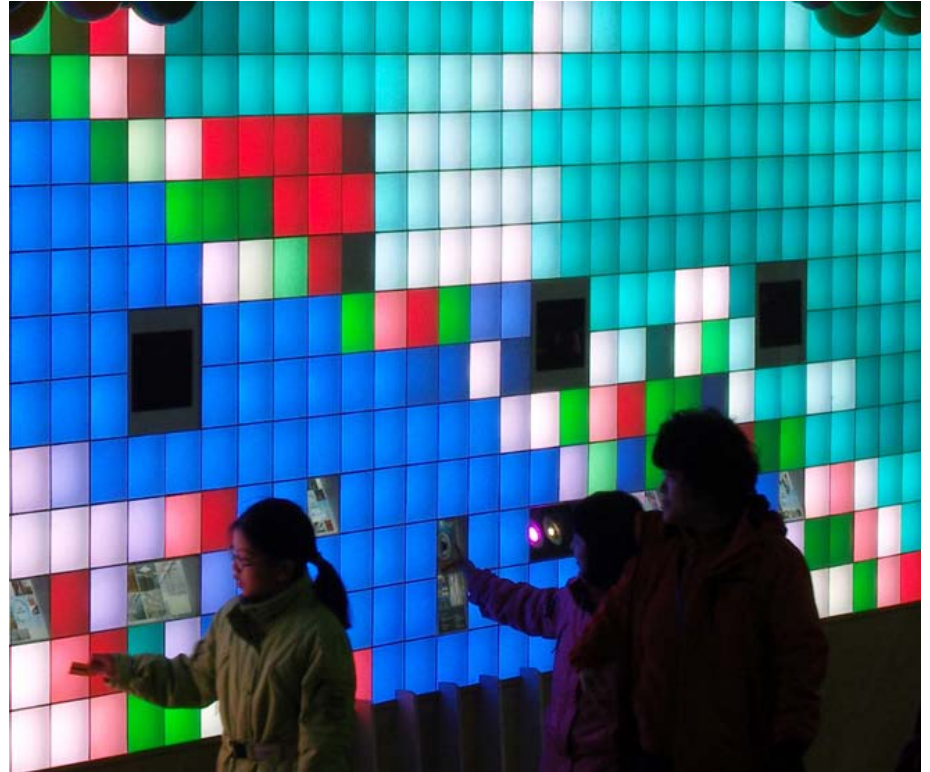
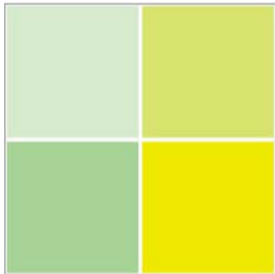


Product Guide

IMAGE-LED Lighting System

BOKY15

CODE : BK-13021



CELL INTERNATIONAL www.zcell.kr

304-1 Ohyang-Ri Silchon-Eup Gwangju-Si Gyeonggi-Do 464-875 Korea, Tel 031-764-8442, Fax 031-764-8443 Email cell@zcell.kr



BOKY15 is composed by square type of pixel to create abstract and soft moving image and bring you in the world of incalculable numbers of fantastic color. (16,700,000 colors)

above all cased in unit 301x301mm with easy block mounting system to construct screen or display upon requested dimension.

is also with easy control system either for operation & maintenance or installation & transportation.

BOKY15 can be applied at exhibition & shopping mall for displays, in discotheque & club or pub as dynamic back screen, stage of theater, broadcasting studios and concert.

further to interactive system it can be applied as a new paradigm by media or digital artists.

1. MODEL

IMAGE-LED FIXTURE

BK-13021 BOKY15

ACCESSORIES

- BK-24027 BOKY15 FIXING KIT
- BK-24011 AC EXTENSION CABLE 60cm
- BK-24012 XLR EXTENSION CABLE 60cm
- BK-24013 XLR EXTENSION CABLE 150cm
- BK-24016 OPTIC CABLE 5m
- BK-24017 OPTIC CABLE 10m
- BK-24018 OPTIC CABLE 20m
- BK-24028 BOKY15 BASE PLATE

CONTROL SYSTEM

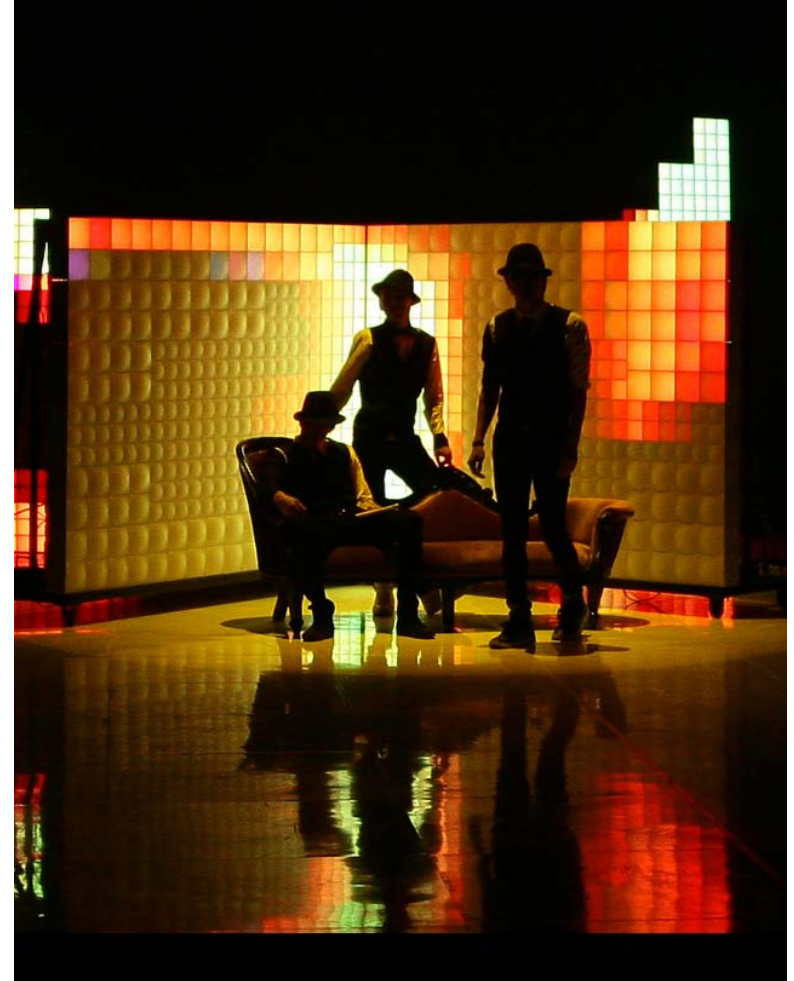
- CT-15041 A-SUB CONTROL
- CT-15032 B-PROCESSOR
- CT-15033 B-WORKS
- CT-15034 OPTIC SPLITTER

2. SPECIFICATIONS

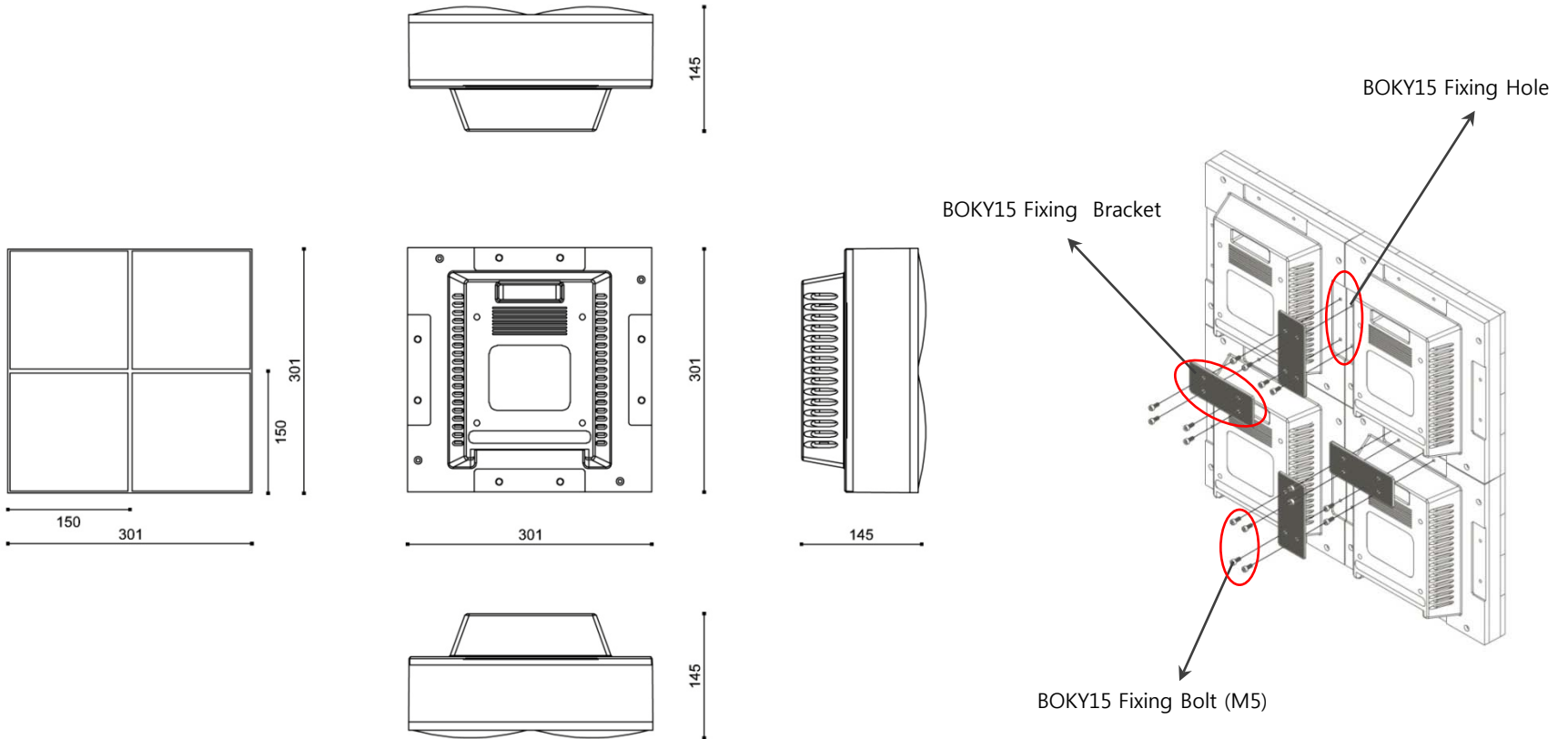
- Light and compact basic unit case : size in 301x301mm
- SMPS installed inside to be enable to connect directly to AC 100~240V
- Connection between units by just one line of cable (Daisy Chain)
- No need to feed the addresses of control by automatic system of communication
- High quality of diffuser panel, uniformity of beam light and without loss of brightness
- Creation of artful letters, pictures and moving image through control system

3. TECHNICAL DATA

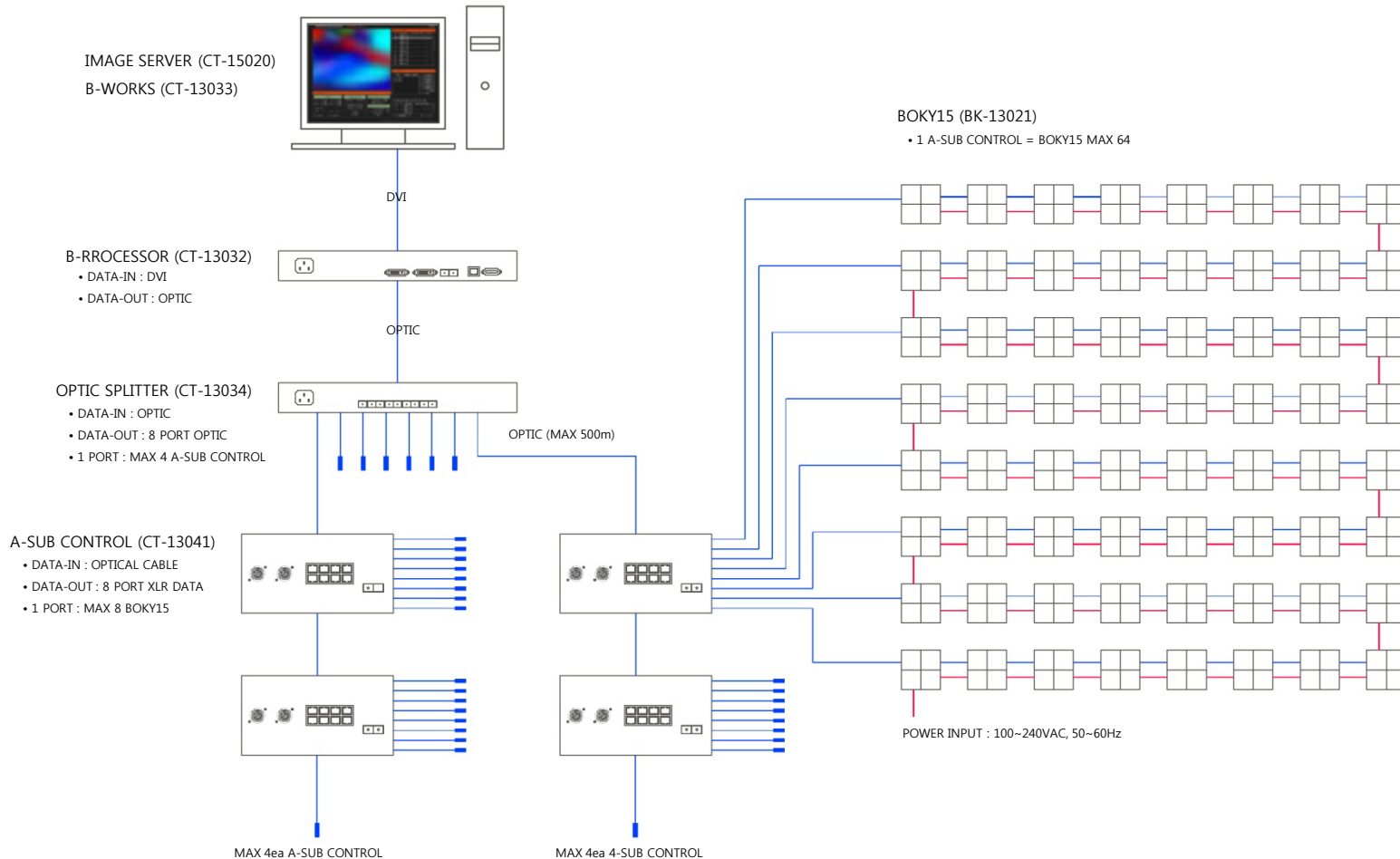
- PRODUCT CODES : BK-13021
- MATERIAL : Hot stabilized techno-polymer body with opal matt acryl cover
- DIMENSIONS : 301mm x 301mm x 145mm
- WEIGHT : 4.0Kg
- PROTECTION CLASS : IP20, Class I
- OPERATING TEMPERATURE : -20°C~65°C
- POWER SUPPLY : 100~240VAC 50~60Hz
- POWER CONSUMPTION : 25W Max
- LED : RGB 3in1 SMD 64LED
- PIXEL : 150x150mm Square 4pixel
- PIXEL PITCH : 150mm
- VIEW ANGLE : 140°x140°
- CONTROL : IMAGE-LED Protocol



4. DRAWING & MOUNTING DIAGRAM



5. WIRING DIAGRAM



※ EXAMPLE – BOKY15 144set<Width 12, Height 12>

